

Mini Scissor Lift

Compact Structure

Smaller Overall Size



STANDARD FEATURES

- 3.0 m platform height, 5.0 m working height;
- 250 kg safe working load (1 person)
- Compact-only 0.76m wide, passes easily through standard doorways;
- Large 1.2 m x 0.66 m platform size
- Only 1.30 m x 0.76 m working footprint
- Easy access gate
- 24V DC power source
- Low voltage battery protection
- Battery level indicator
- Maintenance free batteries
- Audible ascent and descent drive alarm
- Easy to deploy, safer to use
- Safer Alternative to Ladders and Steps

Safety features

- Fail-safe hydraulic circuit complete with check valve cylinder
- Emergency descent from ground level
- Display of system fault codes
- The platform automatically closes the door

Easy To Drive

Indoor Use

IMPORTANT

CQlift is continually researching and developing products and reserves the right to make modifications without prior notice. All data in this document is indicative. Certain options or country standards will increase weight. Specifications may change to meet country standards or with the addition of optional equipment.

Ningbo Chuangqi Machinery Equipment Co., Ltd.

Email: sales@cqliften.com

serve@cqliften.com

Web: <https://www.cqliften.com>

<https://www.cqliften.com/shop/>

WhatsApp: +86 13736163658

Mini Scissor Lift

OPERATING DIMENSIONS

Model	SC03M	SC39M
Dimensions:		
Maximum safe working height	5.0 m	5.9 m
Maximum platform height (A)	3.0 m	3.9 m
Overall length (with steps deployed) (C)	1.3 m	1.3 m
Overall length (without steps deployed)	1.2 m	1.2 m
Overall width (E)	0.76 m	0.76 m
Overall height (Rails Up)	1.7 m (0.94 m with guardrails removed)	1.8 m (1.04 m with guardrails removed)
Overall height (Rails Down)	1.42 m (0.94m with guardrails removed)	1.52 m (1.04m with guardrails removed)
Platform width (F)	0.66 m	0.66 m
Platform length (B)	1.2 m-1.75 m	1.2 m-1.75 m
Platform Extension Size	0.55 m	0.55 m
Ground clearance	Platform lowered 0.05 m	Platform lowered 0.05 m
Wheelbase (D)	1.03 m	1.03 m
Turning Radius (Inside)	0.35 m	0.35 m
Tyres	φ230 × 80 mm	φ230 × 80 mm
Performance		
Safe working load	250 kg	250 kg
Distributed Capacity (Extension Deck)	113 kg	113 kg
Max. Occupants	1	1
Maximum allowable manual force	200N	200N
Gradeability	25%	25%
Maximum allowable chassis inclination	1.5°/ 3°	1.5°/ 3°
Machine weight	650 kg	920 kg
Ascent time:	30-33 seconds	
Descent time*:	25-28 seconds	
Maximum driving speed (platform lowered)	0.5 km/h	0.5 km/h
Maximum driving speed (platform raised)	4.0 km/h	4.0 km/h
Electrical & Hydraulics:		
Voltage	24V DC	
Power pack motor	2.2kW DC	
Drive wheel motors	24V/2800rpm/0.4kW	
Batteries (deep cycle/sealed gel)	2 x 12V/100 Ah	
Charger	24V/10A	
Maximum hydraulic pressure	225 bar	
Working pressure	150 bar	
Hydraulic fluid reservoir	5 litres	8 litres

IMPORTANT

CQlift is continually researching and developing products and reserves the right to make modifications without prior notice. All data in this document is indicative. Certain options or country standards will increase weight. Specifications may change to meet country standards or with the addition of optional equipment.

Ningbo Chuangqi Machinery Equipment Co., Ltd.

Email: sales@cqliften.com

serve@cqliften.com

Web: <https://www.cqliften.com>

<https://www.cqliften.com/shop/>

WhatsApp: +86 13736163658

LOW-LEVEL ACCESS PLATFORM

Mini Scissor Lift

OPTIONS

POWER OPTIONS

Battery: 24V c/w automatic charger.

Mains: 110V or 230V./460V

Controls: Engineering-grade control handle, multiple mode options..

Construction: The scissor arm is constructed of heavy duty steel
superstructure: copper alloy bushed
pivots, tough powder coated finish.

Safety:

Complies ANSI, OSHA. CE marked, with applicable European legislation including the Machinery Directive using the EN280 design standard.

Full fail-safe hydraulics.

Parking automatic locking wheels.

Options

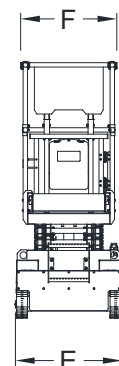
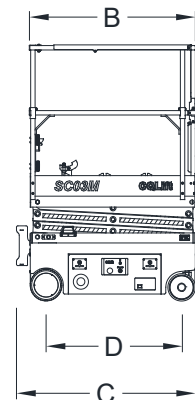
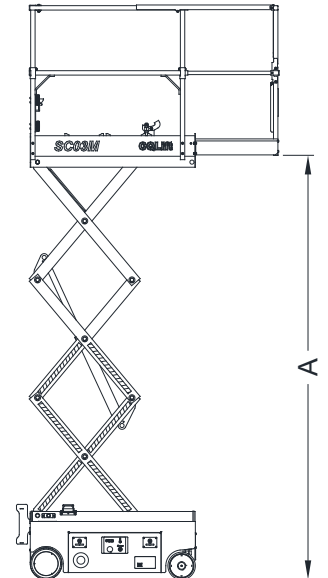
Tilt alarm c/w auto cut-out.

Narrow basket for suspended ceiling grid access.

Pipe Carrying kit (max 2" pipe).

Tool box.

Foam buffer kit.



IMPORTANT

CQLift is continually researching and developing products and reserves the right to make modifications without prior notice. All data in this document is indicative. Certain options or country standards will increase weight. Specifications may change to meet country standards or with the addition of optional equipment.

Ningbo Chuangqi Machinery Equipment Co., Ltd.

Email: sales@cqliften.com

serve@cqliften.com

Web: <https://www.cqliften.com>

<https://www.cqliften.com/shop/>

WhatsApp: +86 13736163658