

## LOW-LEVEL ACCESS

# NPA45

## Non-Powered Access

## Easy Operation



---

### STANDARD FEATURES

- 2.2m platform height, 4.2 m working height;
- 150 kg safe working load (1 person + tools combined)
- Compact-only 0.75m wide, passes easily through standard doorways;
- Large 0.85 m x 0.65 m platform size
- Only 1.28m x 0.75 m working footprint
- Easy access gate
- Virtually maintenance free
- No batteries to charge or mains
- Stop wherever you want up to 4.2m working height.
- Easy to deploy, safer to use
- Safer Alternative to Ladders and Steps

---

### Safety features

- Gone are the days of climbing steps or podiums, no more slips, trips or having to balance!
- It's so easy, fast and efficient to use, intuitive.
- Lifting automatic brake
- The platform automatically closes the door

### Energy Saving

### Environmental Friendly

---

### IMPORTANT

We are continually researching and developing products and reserves the right to make modifications without prior notice. All data in this document is indicative. Certain options or country standards will increase weight. Specifications may change to meet country standards or with the addition of optional equipment.



Email: [sales@cqliften.com](mailto:sales@cqliften.com)

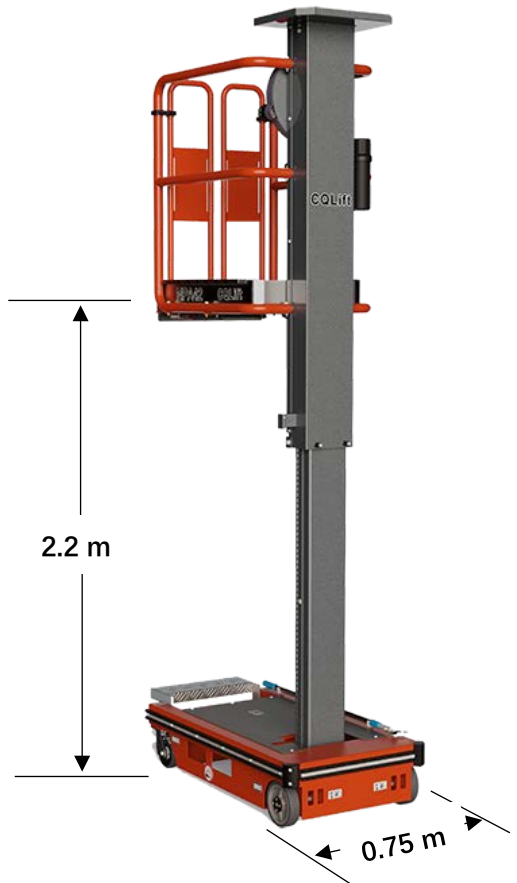
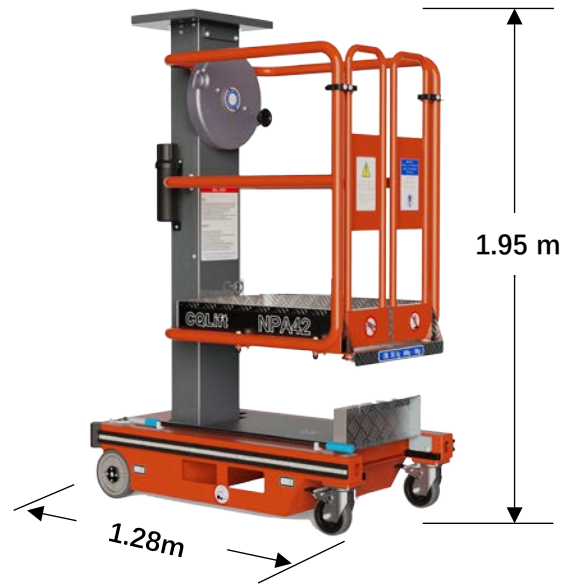
<https://www.cqliften.com>

WhatsApp: +86 13736163658

# LOW-LEVEL ACCESS

## OPERATING DIMENSIONS

Maximum working height:	4.20 m
Maximum platform height:	2.20 m
Platform dimensions:	0.85 m x 0.65 m
Working foot print:	1.28 m x 0.75 m
Safe working load:	150 kg (1 person + tools combined)
Maximum manual force:	200N
Maximum gradient for operation:	0 degrees
Maximum wind force:	Internal use only, 0 (zero) mph
Maximum castor point load:	250 kg
Sound pressure level:	Less than 70dBa
Length:	1.28 m
Width:	0.75 m
Height:	1.95m
Weight	315kg



## POWER OPTIONS

No batteries to charge or mains power consumption.

Construction: Heavy duty fabricated steel

### Safety:

CE & ANSI marked, complies with applicable European legislation including the Machinery Directive using the EN280 & ANSI standard.

### Options

Narrow basket for suspended ceiling grid access.

Pipe Carrying kit (max 2" pipe).

Tool tray.

Foam buffer kit.

## IMPORTANT

We are continually researching and developing products and reserves the right to make modifications without prior notice. All data in this document is indicative. Certain options or country standards will increase weight.

Specifications may change to meet country standards or with the addition of optional equipment.



Email: [sales@cqliften.com](mailto:sales@cqliften.com)

<https://www.cqliften.com>

WhatsApp: +86 13736163658